

# Hydronic Catalog

Winter 2023



# Table of Content

Hydronic Catalog	3
Residential Cast Iron Boilers	3
Commercial Cast Iron Boilers	4
Condensing Boilers	6
Oil Boilers and Accessories	8
Indirect Tanks/Accessories	9
Heat Exchanger	10
Boiler Chemicals	11
Baseboard	13
Radiant Heating/Design	15
Air Elimination	16
Expansion Tank	17
BG Pumps	19
Grundfos Pumps	20
Specialties	22
Steam Traps	24
Steam/Water Vents	25
Boiler Feed/Condensate	26
Controls	27
Gauge Glass	30
Insulation/Rope/Blanket	31
Relief/Reducing Valves	32
Valves/Checks/Strainers	33
Solenoid Valves	35
Gauges	36
Fitting	38

**CGA**

Gas Boiler - Water - Atmospheric Draft 38-233mbh Input

Part No.	DESCRIPTION	MBH	PUMP	Price
WMC381-359-071	CGa-25 PIDN Blr S3 no circ	38	No	
WMC381-359-073	CGa-3 PIDN Blr S3 no circ	67	No	
WMC381-359-075	CGa-4 PIDN Blr S3 no circ	100	No	
WMC381-359-077	CGa-5 PIDN Blr S3 no circ	133	No	
WMC381-359-079	CGa-6 PIDN Blr S3 no circ	166	No	
WMC381-359-081	CGa-7 PIDN Blr S3 no circ	200	No	
WMC113-081-461	CGa-8 PIDN Blr S3 no circ/DH	233	No	



**CGI**

Gas Boiler - Water - Induced Draft 48-222mbh Input

Part No.	DESCRIPTION	MBH	PUMP	Price
WMC381-359-001	CGi-25	48	No	
WMC381-359-003	CGi-3	58	No	
WMC381-359-005	CGi-4	90	No	
WMC381-359-007	CGi-5	119	No	
WMC381-359-009	CGi-6	158	No	
WMC381-359-011	CGi-7	190	No	
WMC381-359-013	CGi-8	222	No	



**EG**

Gas Boiler - Water/Steam - Atmospheric Draft 75-282mbh Input

Part No.	DESCRIPTION	TYPE	CSA INPUT	Price
WMC118-301-500	EG-30 W/LWCO	Water	75	
WMC118-304-500	EG-30 W/LWCO	Steam	75	
WMC118-351-500	EG-35 W/LWCO	Water	100	
WMC118-354-500	EG-35 W/LWCO	Steam	100	
WMC118-401-500	EG-40 W/LWCO	Water	125	
WMC118-404-500	EG-40 W/LWCO	Steam	125	
WMC118-451-500	EG-45 W/LWCO	Water	150	
WMC118-454-500	EG-45 W/LWCO	Steam	150	
WMC118-501-500	EG-50 W/LWCO	Water	175	
WMC118-504-500	EG-50 W/LWCO	Steam	175	
WMC118-551-500	EG-55 W/LWCO	Water	200	
WMC118-554-500	EG-55 W/LWCO	Steam	200	
WMC118-651-500	EG-65 W/LWCO	Water	238	
WMC118-654-500	EG-65 W/LWCO	Steam	238	
WMC118-751-500	EG-75 W/LWCO	Water	282	
WMC118-754-500	EG-75 W/LWCO	Steam	282	



## LGB Series 2

Gas Boiler - Water/Steam - Atmospheric Draft 400-2860mbh Input

Part No.	DESCRIPTION	TYPE	MBH (NET)	Price
WMC133-041-304	LGB-4-W-N-5"	Water	282	
WMC133-044-304	LGB-4-S-N-5"	Steam	243	
WMC133-051-304	LGB-5-W-N-5"	Water	366	
WMC133-054-304	LGB-5-S-N-5"	Steam	316	
WMC133-061-304	LGB-6-W-N-7"	Water	458	
WMC133-064-304	LGB-6-S-N-7"	Steam	395	
WMC133-071-304	LGB-7-W-N-7"	Water	549	
WMC133-074-304	LGB-7-S-N-7"	Steam	474	
WMC133-081-304	LGB-8-W-N-7"	Water	641	
WMC133-084-304	LGB-8-S-N-7"	Steam	553	
WMC133-091-304	LGB-9-W-N-7"	Water	733	
WMC133-094-304	LGB-9-S-N-7"	Steam	632	
WMC133-101-304	LGB-10-W-N-7"	Water	824	
WMC133-104-304	LGB-10-S-N-7"	Steam	711	
WMC133-111-304	LGB-11-W-N-7"	Water	915	
WMC133-114-304	LGB-11-S-N-7"	Steam	790	
WMC133-121-304	LGB-12-W-N-7"	Water	1007	
WMC133-124-304	LGB-12-S-N-7"	Steam	869	
WMC133-131-304	LGB-13-W-N-7"	Water	1099	
WMC133-134-304	LGB-13-S-N-7"	Steam	949	
WMC133-141-304	LGB-14-W-N-7"	Water	1190	
WMC133-144-304	LGB-14-S-N-7"	Steam	1035	
WMC133-151-304	LGB-15-W-N-7"	Water	1282	
WMC133-154-304	LGB-15-S-N-7"	Steam	1123	
WMC133-161-304	LGB-16-W-N-7"	Water	1373	
WMC133-164-304	LGB-16-S-N-7"	Steam	1211	
WMC133-171-304	LGB-17-W-N-7"	Water	1465	
WMC133-174-304	LGB-17-S-N-7"	Steam	1298	
WMC133-181-304	LGB-18-W-N-7"	Water	1557	
WMC133-184-304	LGB-18-S-N-7"	Steam	1386	
WMC133-191-304	LGB-19-W-N-7"	Water	1648	
WMC133-194-304	LGB-19-S-N-7"	Steam	1470	
WMC133-201-304	LGB-20-W-N-7"	Water	1740	
WMC133-204-304	LGB-20-S-N-7"	Steam	1553	
WMC133-211-304	LGB-21-W-N-7"	Water	1831	
WMC133-214-304	LGB-21-S-N-7"	Steam	1635	
WMC133-221-304	LGB-22-W-N-7"	Water	1923	
WMC133-224-304	LGB-22-S-N-7"	Steam	1717	
WMC133-231-304	LGB-23-W-N-7"	Water	2014	
WMC133-234-304	LGB-23-S-N-7"	Steam	1799	



## 80 Series 1

Gas/Oil Boiler, Series 1, Less Burner Plate and Power Burner

Part No.	DESCRIPTION	TYPE	MBH (NET)	Price
WMC158-031-303	H-380-WF	Water	242	
WMC158-034-303	H-380-SF	Steam	208	
WMC158-041-303	H-480-WF	Water	344	
WMC158-044-303	H-480-SF	Steam	297	
WMC158-051-303	H-580-WF	Water	448	
WMC158-054-303	H-580-SF	Steam	386	
WMC158-061-303	H-680-WF	Water	551	
WMC158-064-303	H-680-SF	Steam	476	



Part No.	DESCRIPTION	TYPE	MBH (NET)	Price
WMC158-071-303	H-780-WF	Water	655	
WMC158-074-303	H-780-SF	Steam	565	
WMC158-081-303	H-880-WF	Water	758	
WMC158-084-303	H-880-SF	Steam	654	
WMC158-091-303	H-980-WF	Water	862	
WMC158-094-303	H-980-SF	Steam	743	
WMC158-101-303	H-1080-WF	Water	965	
WMC158-104-303	H-1080-SF	Steam	833	
WMC158-111-303	H-1180-WF	Water	1069	
WMC158-114-303	H-1180-SF	Steam	922	
WMC158-121-303	H-1280-WF	Water	1172	
WMC158-124-303	H-1280-SF	Steam	1018	



## 88 Series 2

Gas/Oil Boiler, Series 2, Less Burner Plate and Power Burner

Part No.	DESCRIPTION	TYPE	MBH (NET)	Price
WMC164-041-214	H-488	Water	730	
WMC164-044-214	H-488	Steam	629	
WMC164-051-214	H-588	Water	979	
WMC164-054-214	H-588	Steam	845	
WMC164-061-214	H-688	Water	1229	
WMC164-064-214	H-688	Steam	1072	
WMC164-071-214	H-788	Water	1478	
WMC164-074-214	H-788	Steam	1311	
WMC164-081-214	H-888	Water	1728	
WMC164-084-214	H-888	Steam	1543	
WMC164-091-214	H-988	Water	1977	
WMC164-094-214	H-988	Steam	1766	
WMC164-101-214	H-1088	Water	2227	
WMC164-104-214	H-1088	Steam	1988	
WMC164-111-214	H-1188	Water	2477	
WMC164-114-214	H-1188	Steam	2211	
WMC164-121-214	H-1288	Water	2726	
WMC164-124-214	H-1288	Steam	2434	
WMC164-131-214	H-1388	Water	2976	
WMC164-134-214	H-1388	Steam	2657	
WMC164-141-214	H-1488	Water	3225	
WMC164-144-214	H-1488	Steam	2880	
WMC164-151-214	H-1588	Water	3475	
WMC164-154-214	H-1588	Steam	3102	
WMC164-161-214	H-1688	Water	3724	
WMC164-164-214	H-1688	Steam	3325	
WMC164-171-214	H-1788	Water	3974	
WMC164-174-214	H-1788	Steam	3548	
WMC164-181-214	H-1888	Water	4223	
WMC164-184-214	H-1888	Steam	3771	



### ECO Tec

Gas Boiler, Water, Wall Mount Combi and Heat Only Versions Stainless Steel Heat Exchanger

Part No.	MBH	TYPE	PUMP	Price
WMC383-900-173	110	Combi	Yes	
WMC383-900-174	150	Combi	Yes	
WMC383-900-175	199	Combi	Yes	
WMC383-900-176	80	Heat Only	Yes	
WMC383-900-177	110	Heat Only	Yes	
WMC383-900-178	150	Heat Only	Yes	
WMC383-900-179	199	Heat Only	Yes	



### Singular

Bosch Combi Boilers come with pump and LP Kit.

Part No.	BTUS	TYPE	EFFICIENCY	Price
BOSSINGULAR4000	155,000	Combi		
BOSSINGULAR5200	199,000	Combi		



### Greentherm - WATER HEATER

Only the Greentherm 9900 Series comes standard with a pump. All models come with LP kit included.

Part No.	BTUS	TYPE	EFFICIENCY	Price
BOST9800SE199	199,000	Water Heater	96%	
BOST9900SE160	160,000	Water Heater	96%	
BOST9900SE199	199,000	Water Heater	96%	



### EVG

Gas Boiler - Water - Condensing Stainless Steel Heat Exchanger

Part No.	MBH	TYPE	PUMP	Price
WMC383-900-005	110	Heat Only	Yes	
WMC383-900-006	155	Heat Only	Yes	
WMC383-900-000	220	Heat Only	Yes	
WMC383-900-001	299	Heat Only	Yes	
WMC383-900-002	399	Heat Only	Yes	



**Slimfit**

High Efficiency Gas Boiler, Series 3, Water, Aluminum Block Heat Exchanger

Part No.	MBH	EFFICIENCY		Price
WMC383-600-330	550	94.7		
WMC383-600-331	750	94.0		
WMC383-600-400	1000	96.1	Left	
WMC383-600-401	1500	95.9	Left	
WMC383-600-402	2000	95.8	Left	
WMC383-600-403	1000	96.1	Right	
WMC383-600-404	1500	95.9	Right	
WMC383-600-405	2000	95.8	Right	



**SVF Series 1 and 2**

Stainless Steel, Vertical Firetube Boiler, Stainless Steel Heat Exchanger

Part No.	MBH	EFFICIENCY	TURNDOWN	Price
WMC384-000-018	500	98.0	10:1	
WMC384-000-019	600	98.0	12:1	
WMC384-000-020	725	97.7	10:1	
WMC384-000-021	850	97.5	12:1	
WMC384-000-022	1000	96.5	10:1	
WMC384-000-023	1500	240V/1	96.0	
WMC384-000-024	2000	240/1	96.0	
WMC384-000-025	2500	240/3	96.0	
WMC384-000-026	2500	480/3	96.0	
WMC384-000-027	3000	240/3	96.0	
WMC384-000-028	3000	480/3	96.0	





## WGO

Oil Boiler, without Burner and without Tankless Heater Opening

Part No.	DESCRIPTION	BURNER	PUMP	Price
WMC386-700-817	WGO-2 98mbh	No	No	
WMC386-700-818	WGO-3 112mbh	No	No	
WMC386-700-819	WGO-4 140mbh	No	No	
WMC386-700-820	WGO-5 168mbh	No	No	
WMC386-700-821	WGO-6 196mbh	No	No	



## Burners

Part No.	DESCRIPTION	MATCH WITH	Price
WMC386-700-392	Beckett Oil Burner	WGO-2	
WMC386-700-396	Beckett Oil Burner	WGO-3	
WMC386-700-400	Beckett Oil Burner	WGO-4	
WMC386-700-404	Beckett Oil Burner	WGO-5	
WMC386-700-408	Beckett Oil Burner	WGO-6	
WMC386-700-412	Beckett Oil Burner	WGO-7	
WMC386-700-416	Beckett Oil Burner	WGO-8	
WMC386-700-420	Beckett Oil Burner	WGO-9	



## Oil Tanks

Part No.	CAPACITY	ORIENTATION	TYPE	Price
275VERTTANK	275 Gal	Vertical		
275HORIZTANK	275 Gal	Horizontal		
FILLVENTKIT-BASEMENT			Install Kit	



## Oil Filters

Part No.	DESCRIPTION	Price
GF1300	1A-25B Filter	
GF1308	2A-700 Filter	
GF200	1A Cartridge	
GF2006	2A Cartridge	



### Aqua Pro

Indirect-Fired Water Heaters

Part No.	GALLONS	MATERIAL	AVAILABILITY	Price
WMC633-500-200	30	Composite	Non Stock	
WMC633-500-201	55	Composite	Non Stock	
WMC633-500-202	80	Composite	Non Stock	
WMC633-500-203	119	Composite	Non Stock	



### Aqua Plus

Indirect-Fired Water Heaters

Part No.	GALLONS	MATERIAL	AVAILABILITY	Price
WMC633-600-000	30	SS 316	Non Stock	
WMC633-600-001	40	SS 316	In Stock	
WMC633-600-002	54	SS 316	Non Stock	
WMC633-600-003	82	SS 316	Non Stock	
WMC633-600-004	111	SS 316	Non Stock	



### Neutralization Kits

Part No.	DESCRIPTION	CAPACITY	Price
WMC383-500-631	Neutralization Kit	525,000 Btus	
WMC383-600-076	Neutralization Kit	1,000,000 Btus	
WMC383-600-287	Neutralization Kit	3,000,000 Btu's	
AXMNM-25	Limestone Replacement		



### Boiler Trim Kit

Part No.	DESCRIPTION	Price
MHTK30PV100FM	Vent, Fill, BFP, Exp Tank 1	
MHTK30PV125FM	Vent, Fill, BFP, Exp Tank 1-1/4	



### Brazed Plate Heat Exchangers

The BPX™ Heat Exchangers are available in many different model sizes ranging from 1/4" to 4" port size and are ideal for industrial oil cooling, refrigerant evaporators and condensers, and residential and light commercial HVAC hydronic systems.

BPX™ Heat Exchangers are available with copper or optional corrosion resistant nickel braze material. Double wall models and ASME code options are also available.

Compared to conventional shell and tube exchangers, the BPX™ Brazed Plate Heat Exchanger offers a more compact design.

- 1/6 the size
- 1/5 the weight
- 1/8 the liquid volume
- 1/3 to 1/5 the surface area



Part No.	SIZES	Price
Call For Details	Too Many to List	

### U-Tube Heat Exchangers

SU/WU heat exchangers utilize a U-Tube removable bundle construction. The SU product is designed for applications using steam on the shell to heat fluids in the tubes and the WU product is designed as a liquid to liquid heat exchanger. All welded rugged carbon steel shell, with an option of stainless steel, provides maximum durability.

**PRODUCT FEATURES**

- Removable bundle for ease of inspection and replacement
- This design allows for differential thermal expansion between shell and tubes as well as between individual tubes
- The result is a heat exchanger capable of withstanding thermal shock
- The bundle design and tube layout allow for the maximum heat transfer surface area per given shell size
- The SU/WU exchangers are also available with Diamondback double wall tube construction and heavy duty construction for high temperature applications as well as tank heater designs



Part No.	SIZES	Price
Call For Details	Too Many to List	

### Plate and Frame Heat Exchangers

**Maximum efficiency in less space, with outstanding application flexibility**

Innovative plate design allows GPX heat exchangers to provide more heat transfer using less space. They perform with one-third to one-fifth the surface area of conventional shell and tube heat exchangers designed for the same application.

- GPX models have higher surface area to volume ratios than conventional shell and tube heat exchangers
- GPX offer superior heat transfer coefficients compared to shell and tube heat exchangers
- GPX offers "true" countercurrent flow, which maximizes the mean temperature difference between fluids



Part No.	SIZES	Price
Call For Details	Too Many to List	

**Sentinel Boiler Chemicals**

Part No.	DESCRIPTION	Price
WMC592-900-032	Boiler Jetflush Machine	
WMC592-900-002	X100 Inhibitor 275 ml Tube	
WMC592-900-005	X100 Inhibitor Quick Test Kit	
WMC592-900-007	X200 Noise Reducer	
WMC592-900-014	X400 System Restorer	
WMC592-900-025	X100 Inhibitor 1 Gal	
WMC592-900-037	100 Rapid Dose	



**Chemical Feed Pots**

Part No.	DESCRIPTION	SIZE	PRESS RATING	Price
AXMCBF-2	Chemical Feed Pot	2 gal	165	
AXMCBF-2-HP	Chemical Feed Pot	2 gal	300	
AXMCBF-5	Chemical Feed Pot	5 gal	165	
AXMCBF-5-HP	Chemical Feed Pot	5 gal	300	



**DeScaler**

Part No.	DESCRIPTION	SIZE	APPLICATION	Price
RYDLYME-1GAL	DeScaler	1 gal		
RYDLYME-5GAL	DeScaler	5 gal		



**Boiler Cleaner**

Part No.	DESCRIPTION	SIZE	APPLICATION	Price
UTL18-105	Boiler Cleaner	9 oz		
UTL10-3011	Boiler Cleaner	1 qt	Hot Water or Steam	
UTL10-1510	Soot Away Spray	12 oz		
UTL10-1010	Soot Away Sticks	Stick		
UTL18-205	Rust-X Inhibitor/Treatment	1 qt	Hot Water or Steam	



### Stop Leak

Part No.	DESCRIPTION	SIZE	APPLICATION	Price
UTL15-1010	Liquid Stop Leak	1 qt	Steam Only	
UTL15-2011	Liquid Stop Leak	1 qt	Hot Water Only	



### Heating Oil Treatment

Part No.	DESCRIPTION	SIZE	APPLICATION	Price
UTL20-2020	Liquid Heat	1 pt	Heating Oil	
UTL20-1020	Water Absorber	1 qt	Heating Oil	
UTL20-1510	Oil Tank Cleaner	1 qt	Heating Oil	
UTL20-3011	Oil Odor Kill Powder	14 oz	Heating Oil	
UTL20-3510	Oil Odor Kill Spray	12 oz	Heating Oil	
HI10001	Leak Lock	1.33 oz	Oil Fittings	
HI10004	Leak Lock	4 oz	Oil Fittings	
HI10016	Leak Lock	16 oz	Oil Fittings	



### Glycol

Part No.	DESCRIPTION	SIZE	Price
Glycol-5	Glycol	5 gal	
Glycol-55	Glycol	55 gal	



### Panel Track Complete Units

Part No.	DESCRIPTION	LENGTH (FT)	PIPE SIZE	Price
EMYKRP-2	Complete	2	3/4	
EMYKRP-3	Complete	3	3/4	
EMYKRP-4	Complete	4	3/4	
EMYKRP-5	Complete	5	3/4	
EMYKRP-6	Complete	6	3/4	
EMYKRP-7	Complete	7	3/4	
EMYKRP-8	Complete	8	3/4	



### Panel Track Element Only

Part No.	DESCRIPTION	LENGTH (FT)	PIPE SIZE	Price
EMYKE-2	Element Only	2	3/4	
EMYKE-3	Element Only	3	3/4	
EMYKE-4	Element Only	4	3/4	
EMYKE-5	Element Only	5	3/4	
EMYKE-6	Element Only	6	3/4	
EMYKE-7	Element Only	7	3/4	
EMYKE-8	Element Only	8	3/4	



### Panel Track Enclosure Only

Part No.	DESCRIPTION	LENGTH (FT)	Price
EMYCKA-2	Enclosure Only	2	
EMYCKA-3	Enclosure Only	3	
EMYCKA-4	Enclosure Only	4	
EMYCKA-5	Enclosure Only	5	
EMYCKA-6	Enclosure Only	6	
EMYCKA-7	Enclosure Only	7	
EMYCKA-8	Enclosure Only	8	



### Panel Track Accessories

Part No.	DESCRIPTION	Price
EMYKHC-L	Left End Cap W/ Hinge	
EMYKHC-R	Right End Cap W/ Hinge	
EMYCKK-L	Left End Cap W/O Hinge	
EMYCKK-R	Right End Cap W/O Hinge	
EMYKWJ-5L	Wall Trim LH 5"	
EMYKWJ-5R	Wall Trim RH 5"	
EMYKEX-14	14" Filler Sleeve	
EMYKSP	Splice Plate 2"	
EMYKIC-90	Inside 90 Deg Corner 2/Bx	
EMYKOC-90	Outside 90 Deg Corner	
EMCYKIC-45	Inside 135 Deg Bay Corner	
EMYK-TUP	Touchup Paint	

**CIBB**

Cast Iron Baseboard

Part No.	DESCRIPTION	Price
WMC623-900-100	1-1/2 FT LEFT SUB ASSM	
WMC623-900-103	2 FT LH #9 CIBB SUB ASM LEFT	
WMC623-900-120	1 FT RH #9 CIBB SUB ASM	
WMC623-900-123	2 FT RH #9 CIBB SUB ASM	
WMC623-900-126	3 FT RH #9 CIBB SUB ASM	
WMC623-900-150	2 FT CENTER #9 CIBB SUB ASM	
WMC624-900-100	CIBB Valve Enclosure	
WMC624-900-110	CIBB 10" Plain Enclosure	
WMC624-900-115	CIBB Left Hand End Cover	
WMC624-900-120	CIBB Right Hand End Cover	
WMC624-900-125	CIBB 4" Inside Cover	
WMC624-900-130	CIBB 10" Inside Corner Cover	
WMC624-900-135	CIBB Outside Corner Cover	
WMC624-900-150	CIBB Left Transition Piece	
WMC624-900-155	CIBB Right Transition Piece	
WMC624-900-175	Easy Angle Conn 4" Inside Crnr	
WMC624-900-180	Easy Angle Conn 10" Outsd Crnr	
WMC624-900-200	CIBB Accsy Pkg 1-6' Ft	
WMC625-100-115	CIBB Push Nipples	
WMC633-500-012	Thermostatic Mixing Valve 1"	





Call Winstel/Morrow Control for all you radiant projects. We will help from the planning/design of your project and provide detailed material lists, drawings, and instructions. All we need is your drawing and what your are trying to accomplish and we can take the job from there. We supply pipe, accessories, and a number of installation options allowing each job to be customized for the best solution. Call your counter salesperson to get the process started.

LegendFlex™



Modular Manifold Series Kit



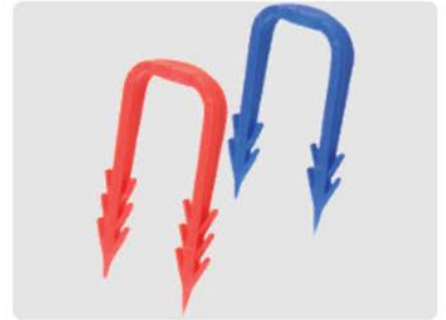
SnappRAIL™



Traditional Brass Manifold



Accessories



Stainless Steel Manifold



## Radiant Panel Systems

AMBIANCE™ Ceiling Panels



QuickTherm™ Flooring Panels



VersaTherm™ Flooring Panels





**Air Purgers**

Part No.	AVAILABILITY	PIPE SIZE	VENT SIZE	Price
AT443	STOCK	1	1/8	
AT444	STOCK	1-1/4	1/8	
AT445	STOCK	1-1/2	1/8	
AT446	STOCK	2	1/8	



**Air Vent**

Part No.	AVAILABILITY	PIPE SIZE	Price
AT700-C	STOCK	1/8	
LGD110-331	STOCK	1/8	



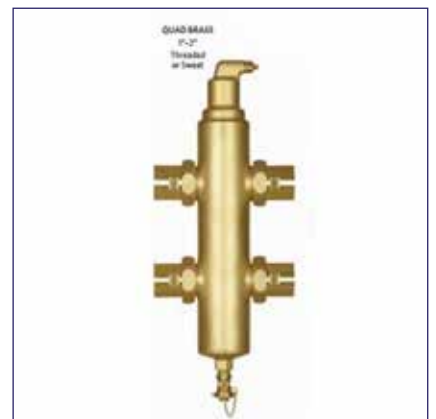
**Water Radiator Vent**

Part No.	DESCRIPTION	PIPE SIZE	MAX OPER PRESS	Price
HO508	Auto Radiator Vent	1/8 MPT	50	
FL19	Manual Radiator Vent	1/8 MPT		
FL136-2	Manual Radiator Key	Key		
KEE5SN	Radiator Vent 21" Capillary	1/8 MPT		



**Air/Dirt Separators**

Part No.	ELIMINATES	SIZE	MANUFACTURER	Price
SPIVJR100TM	Air	1	Spirotherm	
SPIVJR125TM	Air	1-1/4	Spirotherm	
SPIVJR150TM	Air	1-1/2	Spirotherm	
SPIVTP050FT	Air	1/2	Spirotherm	
SPIVDX100FT	Air + Dirt	1	Spirotherm	
SPIVDX125FT	Air + Dirt	1-1/4	Spirotherm	
SPIVDX150FT	Air + Dirt	1-1/2	Spirotherm	
WBS74003	Air	3/4	Webstone	
WBS74004	Air	1	Webstone	
WBS74005	Air	1-1/4	Webstone	
WBS74006	Air	1-1/2	Webstone	



### EX Expansion Tank

Extrol in-line models are suitable for expansion control in most residential closed-loop boiler systems. It comes with a patent-pending InSight indicator cap to vidualy check the tank condition.

Part No.	AVAILABILITY	VOLUME (GAL)	CONNECTION (IN.)	Price
ATEX-15	STOCK	2.0	1/2	
ATEX-30	STOCK	4.4	1/2	
ATEX-60	STOCK	7.4	1/2	
ATEX-90	STOCK	14.0	1/2	



### SX Expansion Tank

Extrol floor-standing models are designed for large residential and light commercial applications. These non-ASME tanks are available in sizes up to 86 gallons and can be used with high output boilers up to 1,500,000 BTU's. ASME Commercial tanks are also available and can be found in catalog MC 2682.

Part No.	AVAILABILITY	VOLUME (GAL)	CONNECTION (IN.)	Price
ATSX-30V	STOCK	14	1	
ATSX-40V	STOCK	20	1	
ATSX-60V	STOCK	32	1	
ATSX-90V	STOCK	44	1-1/4	
ATSX-110V	STOCK	62	1-1/4	
ATSX-130V	NON-STOCK	81	1-1/4	
ATSX-160V	NON-STOCK	86	1-1/4	



### Fill-trol Expansion Tank

#### FILL-TROL® System

- Eliminates the need for a separate, automatic fill valve.
- Tank pressure controls system fill.
- Factory pre-charge: 12 psig.
- Fully adjustable up to a maximum working pressure of 100 psig.

Part No.	AVAILABILITY	VOLUME (GAL)	CONNECTION (IN.)	Price
ATFT-109	STOCK	2	1/2	
ATFT-110	STOCK	4.4	1/2	
ATFT-111	STOCK	7.4	1/2	
ATFT-112	STOCK	14	1/2	



### Therm-x-Trol

For Potable water systems

Part No.	AVAILABILITY	VOLUME (GAL)	CONNECTION (IN.)	Price
ATST-5	STOCK	2.0	3/4	
ATST-12	STOCK	4.4	3/4	



### Steel Tanks

John Wood non-ASME plain steel tanks.

Part No.	GALLONS	DIMENSIONS	RATED	Price
JNWJBXY-17-055	15	12 x 30	75#	
JNWJBXY-17-058	24	12 x 47	75#	
JNWJBXY-17-059	30	12 x 60	75#	



### Accessories

Part No.	DESCRIPTION	TANK DIA.	CONNECTION (IN.)	Price
BG112010	Airtrol	12-14"	1/2 x 3/4	
BG112011	Airtrol	16-18"	1/2 x 3/4	
BG112026	Airtrol	20-22"	1/2 x 3/4	
BG112013	Airtrol	24"	1/2 x 3/4	
BG112014	Airtrol	>100Gal	1 x 1	
BG113041	Drain-o-Tank		1/2	



### 3 Piece Iron Heating Pumps

Part No.	MODEL	HORSEPOWER	VOLTAGE	Price
BG103417	NRF-25	1/15	120	
BG103400	NRF-36	1/6	120	
BG106189	Series 100	1/12	120	
BG102206	PR Iron	1/6	120	
BG102210	HV NFI	1/6	120	
BG102214	2 NFI	1/6	120	
BG102218	2-1/2 NFI	1/4	120	
BG102214	NRF-33	1/15	120	
BG102218	NRF-45	1/6	120	



### Wet Rotor Heating Pumps

Part No.	MODEL	HORSEPOWER	VOLTAGE	Price
BG1BL001	PL-36	1/6	120	
BG1BL002	PL-45	1/6	120	
BG1BL006	PL-36	1/6	230	
BG1BL007	PL-45	1/6	230	
BG1BL012	PL-30	1/12	120	
BG1BL014	PL-30	1/12	230	
BG1BL016	PL-50	1/6	120	
BG1BL032	PL-55	2/5	120	
BG1BL034	PL-75	1/6	120	
BG1BL036	PL-75	1/6	230	
BG1BL063	PL130/2	1/6	115	
BG1BL070	PL130/3	1/6	115	



### Iron Body Flanges

Note the flanges sizes differ on standard vs HV flanges at the distance between bolt holes. Universal isolation flanges below will fit either size.

Part No.	DESCRIPTION	PIPE SIZE	BOLT HOLES	Price
BG101201	Std Flange	3/4	2	
BG101202	Std Flange	1	2	
BG101203	Std Flange	1-1/4	2	
BG101204	Std Flange	1-1/2	2	
BG101205	HV Flange	1	2	
BG101206	HV Flange	1-1/4	2	
BG101207	HV Flange	1-1/2	2	
BG101215	Iron Flange	2	4	
BG101217	Iron Flange	3	4	
BG101219	Iron Flange - Non Stock	2-1/2	4	



## High Efficiency Pumps

Part No.	MODEL	MATERIAL	FLANGE	Price
GRF92603106	UPSE 18-58F	Cast Iron	GF15/26	
GRF92603115	ALPHA 15-58F	Cast Iron	GF15/26	
GRF9940916	ALPHA2 26-99F	Cast Iron	GF15/26	



## DHW Pumps

Hot Water Recirculation Pumps

Part No.	MODEL	MATERIAL	FLANGE	Price
GRF99812354	UP10-16DTBULC	Bronze	GU125	
GRF595916	UP15-10SUP7PTLC	SS	GU125	
GRF9906545	ALPHA15-55	Bronze	GU125	
GRF99452478	UPS15-35SUC/DTLC	SS	GU125	



## 3 Speed Cast Iron Pump

Part No.	MODEL	MATERIAL	FLANGE	Price
GRF59896341	UP15-58FC	Cast Iron	GF15/26	
GRF59896343	UPS15-58FRC	Cast Iron	GF15/26	
GRF52722512	UP26-99FC	Cast Iron	GF15/26	
GRF95906630	UPS26-150F	Cast Iron	GF15/26	
GRF95906636	UPS43-100F	Cast Iron	GF40/43	
GRF52722557	UPS50-44F	Cast Iron	GF50	
GRF97523134	UPS50-60F	Cast Iron	GF50	



## UPS Stainless Steel Pump

Part No.	MODEL	MATERIAL	FLANGE	Price
GRF98961763	UPS26-99SFC	SS	GF15/26	
GRF95906632	UPS26-150SF	SS	GF15/26	
GRF95906638	UPS43-100SF	SS	GF40/43	



## Isolation Flanges

Grundfos flanges are selected by matching the flange "style" and the desired pipe size.

Part No.	STYLE	SIZE	MATERIAL	Price
GRF519601	GF15/26	3/4	Cast Iron	
GRF519602	GF15/26	1	Cast Iron	
GRF519603	GF15/26	1-1/4	Cast Iron	
GRF519604	GF15/26	1-1/2	Cast Iron	
GRF519651	GF15/26	3/4	Bronze	
GRF519652	GF15/26	1	Bronze	
GRF96409356	GF15/26	1-1/4	Bronze	
GRF539605	GF40/43	1-1/2	Cast Iron	
GRF539615	GF40/43	1-1/2	Bronze	
GRF96409354	GF50	2	Cast Iron	
GRF519850	GU125	1/2	Bronze	
GRF519852	GU125	3/4	Bronze	
GRF519660	GF15/26	All	Gasket Kit	
GRF99880243	GF40/43	All	Gasket Kit	

## Isolation Flange Kits

Includes 2 bronze rotating flanges, ball valves, gaskets, dielectric sleeves, bolts and nuts.

Part No.	SIZE	MATERIAL	Price
GRF96806129	1/2	Bronze	
GRF96806130	3/4	Bronze	
GRF96806131	1	Bronze	
GRF96806132	1-1/4	Bronze	

## Universal Isolation Flanges

Rotating Bronze Isolation Flanges, wide holes to be used on both Standard and High Velocity Pumps

Part No.	DESCRIPTION	PIPE SIZE	SIZES	Price
LGD101-274	w/o Drain Valve	3/4 FPT	All	
LGD101-275	w/o Drain Valve	1 FPT	All	
LGD101-276	w/o Drain Valve	1-1/4 FPT	All	
LGD101-174	w/ Drain Valve	3/4 FPT	All	
LGD101-175	w/ Drain Valve	1 FPT	All	
LGD101-176	w/ Drain Valve	1-1/4 FPT	All	



### Backflow Preventer

Part No.	DESCRIPTION	PIPE SIZE	ASSE	Price
MHBP900	BF Preventer	1/2	1012	
WW0061935	BF Preventer	1/2	1012	
WW0061888	BF Preventer	3/4	1012	



### Pressure Reducing Valve

Part No.	DESCRIPTION	PIPE SIZE	PRESET	Price
BG110192LF	PRV w/Fastfill	1/2	12	
BG110196LF	PRV	3/4	12	
BG110195LF	PRV	3/4	45	
BG110190LF	PRV	1/2	12	
BG110194LF	PRV	1/2	45	
BG110197LF	PRV w/Fastfill + RV	1/2	12	
BG110199LF	PRV + RV	1/2	12	



### PRV/Backflow

Part No.	DESCRIPTION	PIPE SIZE	CONNECTION	Price
LGD800-841	PRV/Backflow Combo w/Gauge	1/2	NPT	
MHNC300S-100UP	PRV/Backflow Combo w/Gauge	1/2	Propress	



### Hydrotrol Flow Control

Part No.	DESCRIPTION	PIPE SIZE	Price
BG107035	Hydrotrol Flow Control	3/4	
BG107037	Hydrotrol Flow Control	1	
BG107038	Hydrotrol Flow Control	1-1/4	



## Flow Control

Part No.	DESCRIPTION	PIPE SIZE	Price
BG107018	SA Flow Control	1	
BG107019	SA Flow Control	1-1/4	
BG107020	SA Flow Control	1-1/2	
BG107021	SA Flow Control	2	



## Monoflo Tee

Part No.	DESCRIPTION	PIPE SIZE	Price
LGD302-203NL	MonoFlo Tee	3/4 x 1/2	
LGD302-204NL	MonoFlo Tee	1 x 1/2	
LGD302-205NL	MonoFlo Tee	1 x 3/4	
LGD302-206NL	MonoFlo Tee	1-1/4 x 1/2	
LGD302-207NL	MonoFlo Tee	1-1/4 x 3/4	



## Boiler Drains

Part No.	DESCRIPTION	PIPE SIZE	Price
WW0820901	Boiler Drain	1/2	
WW0820902	Boiler Drain	3/4	
BRS 1057B	Drain Cap Washer		
BRS 1048A	Drain Cap		





**Thermostatic Steam Traps**

Part No.	AVAILABILITY	PIPE SIZE	STYLE	Price
HO17C-2-A	STOCK	1/2	Angle	
HO17C-2-ASN	STOCK	1/2	Angle Short Nipple	
HO17C-2-SW	STOCK	1/2	Swivel	
HO17C-2-V	STOCK	1/2	Vertical	
HO8C-A-2-125	STOCK	3/4	Angle	
HO8C-A-3-125	STOCK	3/4	Angle	
HO8C-S-3-125	STOCK	3/4	Swivel	
HO9C-A-4-125	STOCK	1	Angle	



**Float & Thermostatic Steam Traps**

Part No.	AVAILABILITY	PIPE SIZE	RATING (LBS)	Price
HOFT015H-3	STOCK	3/4	15	
HOFT015H-4	STOCK	1	15	
HOFT015H-5	STOCK	1-1/4	15	
HOFT015H-6	STOCK	1-1/2	15	
HOFT015H-8	STOCK	2	15	
HOFT030H-3	STOCK	3/4	30	
HOFT030H-4	STOCK	1	30	
HOFT075H-3	STOCK	3/4	75	
HOFT075H-4	STOCK	1	75	
HOFT125H-3	STOCK	3/4	125	
HOFT125H-4	STOCK	1	125	



**Thermodisc Steam Traps**

Part No.	AVAILABILITY	PIPE SIZE	Price
HOTD6524	STOCK	1/2	
HOTD6526	STOCK	3/4	



**Inverted Bucket Steam Traps**

Part No.	AVAILABILITY	PIPE SIZE	RATING (LBS)	Price
HOB1030A-2	STOCK	1/2	30	
HOB1030A-3	STOCK	3/4	30	
HOB1075A-2	STOCK	1/2	75	
HOB1075A-3	STOCK	3/4	75	
HOB1125A-2	STOCK	1/2	125	
HOB1125A-3	STOCK	3/4	125	
HOB1180A-2	STOCK	1/2	180	
HOB1180A-3	STOCK	3/4	180	



Steam Vents

Part No.	AVAILABILITY	PIPE SIZE	MAX OPER PRESS	Price
HO4A	STOCK	1/2 FPT X 3/4 MPT	2	
HO75	STOCK	1/2 FPT X 3/4 MPT	3	
HO75H	STOCK	1/2 FPT X 3/4 MPT	10	
HO76	STOCK	1/2 FPT X 3/4 MPT	3	
HO3	STOCK	1/8 IN X 1/4 OUT	25	
HO74	STOCK	1/2 FPT X 3/4 MPT	35	



Radiator Steam Vents

Part No.	AVAILABILITY	PIPE SIZE	MAX OPER PRESS	Price
HO1A	STOCK	1/8 MPT	1.5	
HO70A	STOCK	1/8 MPT	11	
HO40	STOCK	1/8 MPT	6	



Convactor Steam Vents

Part No.	AVAILABILITY	PIPE SIZE	MAX OPER PRESS	Price
HO1B	STOCK	1/4 MPT	1.5	
HO41	STOCK	1/8 MPT	6	
HO43	STOCK	1/4 MPT	6	
HO45	STOCK	1/2 FPT X 3/4 MPT	6	
HO71A	STOCK	1/8 MPT	11	
HO71B	NON-STOCK	1/4 MPT	11	
HO71C	STOCK	1/2 FPT X 3/4 MPT	11	



Water Vent Valves

Part No.	AVAILABILITY	PIPE SIZE	MAX OPER PRESS	Price
HO77	STOCK	1/8 MPT	50	
HO78	STOCK	3/4 MPT	150	
HO79	STOCK	1/2 FPT X 3/4 MPT	75	
HO790	STOCK	1/8 MPT	30	
HO791	STOCK	1/4 MPT	50	
HO792	STOCK	3/4 FPT	250	



### Vacuum Breaker

Part No.	DESCRIPTION	PIPE SIZE	Price
HO62	Vacuum Breaker	3/4 MPT	



### Condensate Pump

Part No.	PUMP CAP.	REC. CAP.	H/P	Price
HOWC6-20B	9 GPM	6 Gal	1/3	
HOWC8-20B	12	9	1/3	
HOWC12-20B	18	14	1/3	
HOWCS6-20B	8	6	1/3	
HOWCS8-20B	12	9	1/3	
HOWCS12-20B	18	14	1/3	



### Boiler Feed Units

Part No.	DESCRIPTION	TYPE	BOILER HP	Price
HO30VBFS-B	Boiler Feed Unit	Simplex	10-30	
HO50VBFS-B	Boiler Feed Unit	Simplex	35-50	
HO100VBFS-B	Boiler Feed Unit	Simplex	60-100	
HO30VBFD-B	Boiler Feed Unit	Duplex	10-30	
HO50VBFD-B	Boiler Feed Unit	Duplex	35-50	
HO100VBFD-B	Boiler Feed Unit	Duplex	60-100	



### Indoor/Outdoor Reset Control

Part No.	DESCRIPTION	OUTDOOR RESET	WWSD	Price
TEK256	Reset Control	Yes	Yes	
TEK070	256 Outdoor Sensor			
TEK071	256 Indoor Sensor			
MHT775R2035	Reset Control	Yes	No	
MHT775P2003	Reset Control	Yes	Yes	
MH50021579-001	T775 Sensor			



### Honeywell Zone Valves

Part No.	DESCRIPTION	SIZE	CV	Price
MHV8043A5029	Quick Fit	3/4	3.5	
MHV8043E5004	Quick Fit	1/2	3.5	
MHV8043E5061	Quick Fit, Aux SW	3/4	8	
MHV8043F1028	Standard, Aux SW	1/2	3.5	
MHV8043F1036	Standard, Aux SW	3/4	3.5	
MHV8043F1051	Standard, Aux SW	1	3.5	
MHV8043F5036	Quick Fit, Aux SW	3/4	3.5	
MHV8043F5051	Quick Fit, Aux SW	1	3.5	
MHV8043J1003	Zone Valve Steam	1/2	3.5	
MHV8043J1037	Zone Valve Steam	3/4	3.5	



### White Rodgers Zone Valves

Part No.	DESCRIPTION	SIZE	Price
WR1311-102	Zone Valve 3 Wire	3/4	
WR1311-103	Zone Valve 3 Wire	1	
WR1311-104	Zone Valve 3 Wire	1-1/4	
WR1361-102	Zone Valve	3/4	
WR1361-103	Zone Valve	1	
WR1361-104	Zone Valve	1-1/4	



### Zone Panel

Part No.	DESCRIPTION	ZONES	FOR	Price
MHHPSR103	Zone Panel	3	Pumps	
MHHPSR104	Zone Panel	4	Pumps	
MHHPSR106	Zone Panel	6	Pumps	
MHZPC104	Zone Panel	4	Valves	
MHZPC106	Zone Panel	6	Valves	



### Flow Switch

Part No.	DESCRIPTION	ENCLOSURE	SIZE (IN)	Price
MMFS4-3	Flow Switch	General	1	
MMFS8-W	Flow Switch	Nema4	1	
MMFS1	Flow Switch	General	1/2	
MMFS5-1	Flow Switch	General	1	
MMFS5-3/4	Flow Switch	General	3/4	
MMFS7-4	Flow Switch	NEMA7/9	1-1/4	



### Low Water Cutoff

Part No.	DESCRIPTION	BRAND	Price
HLV1100	Low Water Cutoff	Hydrolevel	Probe
HLV400	Low Water Cutoff	Hydrolevel	Probe
HLV550	Low Water Cutoff	Hydrolevel	Probe
MM150S	Low Water Cutoff	McDonnell Miller	Float
MM42S	Low Water Cutoff	McDonnell Miller	Float
MM61	Low Water Cutoff	McDonnell Miller	Float
MM63M	Low Water Cutoff	McDonnell Miller	Float
MM64	Low Water Cutoff	McDonnell Miller	Float
MM67	Low Water Cutoff	McDonnell Miller	Float
MMRB-122E	Low Water Cutoff	McDonnell Miller	Probe
MMRB-24e	Low Water Cutoff	McDonnell Miller	Probe



### Water Feeder

Part No.	BRAND	VOLTAGE	Price
HLVVXT-24	Hydrolevel	24	
HLVVXT-120	Hydrolevel	120	
MMWFE-24V	McDonnell Miller	24	
MMWFE-120V	McDonnell Miller	120	



### Aquastat

Part No.	DESCRIPTION	RANGE	CAPILLARY	Price
MHL6006A1145	Aquastat	100-240F	3-3/8"	
MHL6006C1018	Aquastat	60-200F	Strap On	
MHL6008A1192	Aquastat	100-240F	66"	
MHL6008A1242	Aquastat	100-200F	66"	
MHL4006E1125	Aquastat	100-200F	3"	
MHL4006E1067	Aquastat	130-270F	3"	
MHL8124A1007	Triple Aquastat	130-240F	3"	
MHL8148A1017	Aquastat	140-280F	3"	
MHL8148E1265	Aquastat	180-240F	3"	
MHL7224U1002	Elec Aquastat	140-240F		



Wells

Part No.	SIZE	INS. DEPTH	Price
MH121371A	1/2	1-1/2	
MH121371B	3/4	1-1/2	
MH121371L	1/2	3	
MH121371M	3/4	3	
MH107408	Heat Paste		



Switching Relay

Part No.	DESCRIPTION	CONTACTS	Price
MHRA832A1066	Switching Relay	DPST	
MHRA889A1001	Switching Relay	SPST	



### Gauge Glass Sets

Part No.	PIPE SIZE	BLOW DOWN	RATED	Price
CB20-251-00	1/2	No	200PSI@400F	
CB24-350-00	1/2	No	250PSI@400F	
UBW34015	1/2	Yes	250WSP/400WOG	
UBW34031	1/2	No	250WSP/400WOG	
UBW34041	1/2	Yes	250WSP/400WOG	



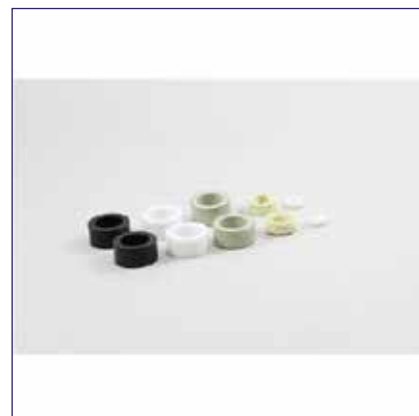
### Gauge Glass Parts

Part No.	DESCRIPTION	GLASS SIZE	Price
CBE-1819-00	Friction Ring	1/2	
CBD-1600-00	Washer	1/2	
CBC-1408-06	Nut	1/2	
CBE-1818-00	Friction Ring	3/4	
CBD-1606-00	Washer	3/4	
CBC-1407-06	Nut	3/4	



### Gauge Glass Repair Kits

Part No.	DESCRIPTION	GLASS SIZE	USED WITH	Price
CB20-001-11	Repair Kit	1/2	24-350	
CB20-003-11	Repair Kit	1/2	24-350	
CB20-001-02	Repair Kit	1/2	20-200	



### Gauge Glass

Part No.	DESCRIPTION	GLASS SIZE	STYLE	Price
CR58RL12	Gauge Glass	5/8	Red Line	
CR58RL14	Gauge Glass	5/8	Red Line	
CR58RL16	Gauge Glass	5/8	Red Line	
CR58RL18	Gauge Glass	5/8	Red Line	
CR58RL24	Gauge Glass	5/8	Red Line	
CR58RL36	Gauge Glass	5/8	Red Line	
CR58RL12	Gauge Glass	5/8	Red Line	
CR58RLHW12	Gauge Glass	5/8	Red Line Heavy Wall	
CR58RLHW24	Gauge Glass	5/8	Red Line Heavy Wall	
CR58RLHW48	Gauge Glass	5/8	Red Line Heavy Wall	



## Boiler Rope

Part No.	DESCRIPTION	SIZE (DIA)	Price
CR14FRB	Boiler Rope	1/4	
CR38FRB	Boiler Rope	3/8	
CR12FRB	Boiler Rope	1/2	
CR34FRB	Boiler Rope	3/4	
CR1FRB	Boiler Rope	1	



## Boiler Tape

Part No.	DESCRIPTION	SIZE	ADHESIVE	Price
CR1FG18	Boiler Tape	1 x 1/8	No	
CR1FG18A	Boiler Tape	1 x 1/8	Yes	
CR112FG18	Boiler Tape	1-1/2 x 1/8	No	
CR112FG18A	Boiler Tape	1-1/2 x 1/8	Yes	



## Boiler Cement

Part No.	DESCRIPTION	SIZE	APPLICATION	Price
GN50021	Sairset	15#	Skim Coat	
UTL30-1031	Combo Cement	1/2 gal	Cracks/Voids	
UTL30-1015	Combo Cement	1 pt	Cracks/Voids	



## Insulation Blanket

Part No.	DESCRIPTION	THICKNESS (IN)	STYLE	Price
GN71050	Inswool Paper	1/8	Sheet	
GN69944	Inswool Blanket	1	Roll	
LY9600	Ceramic Paper	1/8	Sheet	





**Water Relief Valves**

Part No.	DESCRIPTION	SIZE	SET @	Price
CB10-407-05	Relief Valve	3/4M X 3/4F	30	
CB10-408-05	Relief Valve	3/4F X 3/4F	30	
CB10-417-10	Relief Valve	3/4M X 3/4F	50	
WW0358553	Relief Valve	3/4	30	
WW0274428	Relief Valve	3/4	30	
WW0274934	Relief Valve	1	30	
WW0275600	Relief Valve	1-1/4	30	
WW0276500	Relief Valve	1-1/2	30	
WW0278030	Relief Valve	2	30	
WW0382008	Relief Valve	3/4 x 1	30	
WW0382570	Relief Valve	1 x 1-1/4	30	
WW0383020	Relief Valve	1-1/4 x1-1/2	30	
WW0383542	Relief Valve	1-1/2 x 2	30	
WW0384042	Relief Valve	2 x 2-1/2	30	
CALL FOR OTHERS	Too many to list	Multiple	Multiple	



**Steam Relief Valves**

Part No.	CAPACITY	SIZE	SET @	Price
CB12-205-08	2500 #/hr	2	15	
CB12-206-08	3529 #/hr	2-1/2	15	
CB12-208-08	4100 #/hr	3	15	
CB13-211-B15	475 #/hr	3/4 X 3/4	15	
CB13-202-B15	643 #/hr	1 X 1	15	
CB13-213-B15	1200 #/hr	1-1/4 X 1-1/2	15	
CB13-214-B15	1900 #/hr	1-1/2 X 2	15	
CB14-206-08	4676 #/hr	2-1/2 X 2-1/2	15	
CALL FOR OTHERS	Too many to list	Multiple	Multiple	



**Steam Reducing Valves**

Part No.	SIZE	RANGE	Price
WW0830886	1/2	3-15	
WW0830905	1/2	30-140	
WW0830910	1/2	10-50	
WW0830918	3/4	3-15	
WW0830920	3/4	10-50	
WW0830945	1	10-30	
WW0830946	1	3-15	
WW0830950	1	30-140	



## Cast Iron Strainers

Part No.	DESCRIPTION	SIZE	MATERIAL	Price
MUE11M-1/4	Strainer	1/4	Cast Iron	
MUE11M-1/2	Strainer	1/2	Cast Iron	
MUE11M-3/4	Strainer	3/4	Cast Iron	
MUE11M-1	Strainer	1	Cast Iron	
MUE11M-1-1/4	Strainer	1-1/4	Cast Iron	
MUE11M-1-1/2	Strainer	1-1/2	Cast Iron	
MUE11M-2	Strainer	2	Cast Iron	
MUE11M-2-1/2	Strainer	2-1/2	Cast Iron	



## Bronze Strainers

Part No.	DESCRIPTION	SIZE	MATERIAL	Price
MUE351M-1/2	Strainer	1/2	Bronze	
MUE351M-3/4	Strainer	3/4	Bronze	
MUE351M-1	Strainer	1	Bronze	
MUE351M-1-1/4	Strainer	1-1/4	Bronze	
MUE351M-1-1/2	Strainer	1-1/2	Bronze	
MUE351M-2	Strainer	2	Bronze	



## Ball Valves

Part No.	DESCRIPTION	SIZE	CONNECTION	Price
LGD101-411NL	Ball Valve	1/4	Threaded	
LGD101-412NL	Ball Valve	3/8	Threaded	
LGD101-413NL	Ball Valve	1/2	Threaded	
LGD101-414NL	Ball Valve	3/4	Threaded	
LGD101-415NL	Ball Valve	1	Threaded	
LGD101-416NL	Ball Valve	1-1/4	Threaded	
LGD101-417NL	Ball Valve	1-1/2	Threaded	
LGD101-418NL	Ball Valve	2	Threaded	
LGD101-419NL	Ball Valve	2-1/2	Threaded	
LGD101-423NL	Ball Valve	1/2	Sweat	
LGD101-424NL	Ball Valve	3/4	Sweat	
LGD101-425NL	Ball Valve	1	Sweat	
LGD101-426NL	Ball Valve	1-1/4	Sweat	
LGD101-427NL	Ball Valve	1-1/2	Sweat	
LGD101-418NL	Ball Valve	2	Sweat	
LGD101-419NL	Ball Valve	2-1/2	Sweat	
LGD101-420NL	Ball Valve	3	Sweat	
LGD101-003NL	Ball Valve	1/2	ProPress	
LGD101-004NL	Ball Valve	3/4	ProPress	
LGD101-005NL	Ball Valve	1	ProPress	
LGD101-006NL	Ball Valve	1-1/4	ProPress	
LGD101-007NL	Ball Valve	1-1/2	ProPress	
LGD101-008NL	Ball Valve	2	ProPress	



**Radiator Valves**

Part No.	SIZE	STYLE	HANDLE	Price
LGD110-103	1/2	Angle	Composite	
LGD110-104	3/4	Angle	Composite	
LGD110-105	1	Angle	Composite	
LGD110-106	1-1/4	Angle	Composite	
LGD110-107	1-1/2	Angle	Composite	
LGD110-134	3/4	Straight	Composite	
LGD110-135	1	Straight	Composite	
LGD110-136	1-1/4	Straight	Composite	
LGD110-137	1-1/2	Straight	Composite	



**Union Elbow**

Part No.	SIZE	STYLE	Price
LGD110-163	1/2	Angle	
LGD110-164	3/4	Angle	
LGD110-168	1	Angle	
LGD110-169	1-1/4	Angle	



**Check Valves**

Part No.	DESCRIPTION	SIZE	RATED	Price
WBS10542W	Check Valve	1/2	125WSP/200WOG	
WBS10543W	Check Valve	3/4	125WSP/200WOG	
WBS10544W	Check Valve	1	125WSP/200WOG	
UBW62T-1/2	Check Valve - Teflon	1/2	200WSP/400WOG	
UBW62T-1	Check Valve - Teflon	1	200WSP/400WOG	
UBW62T-1-1/4	Check Valve - Teflon	1-1/4	200WSP/400WOG	
UBW62T-1-1/2	Check Valve - Teflon	1-1/2	200WSP/400WOG	
UBW63-1/2	Check Valve	1/2	300WSP/600WOG	
UBW63-1	Check Valve	1	300WSP/600WOG	
UBW63-1-1/4	Check Valve	1-1/4	300WSP/600WOG	
UBW63-1-1/2	Check Valve	1-1/2	300WSP/600WOG	



**Gate Valves**

Part No.	DESCRIPTION	SIZE	RATED	Price
UBW17-1/2	Gate Valve	1/2	150WSP/300WOG	
UBW17-1	Gate Valve	1	150WSP/300WOG	
UBW17-1-1/4	Gate Valve	1-1/4	150WSP/300WOG	
UBW17-1-1/2	Gate Valve	1-1/2	150WSP/300WOG	



## Water Solenoid Valves

Part No.	DESCRIPTION	SIZE	RATED FOR	Price
AO8210G094	N/C Solenoid Valve	1/2	Water	
AO8210G007	N/C Solenoid Valve	1/2	Water	
AO8210G095	N/C Solenoid Valve	3/4	Water	
AO8210G009	N/C Solenoid Valve	3/4	Water	
AO8210G004	N/C Solenoid Valve	1	Water	
AO8210G093	N/C Solenoid Valve	3/8	Water	
AO8210G055	N/C Solenoid Valve	1-1/4	Water	
AO8210G056	N/C Solenoid Valve	1-1/2	Water	
AO8210G022	N/C Solenoid Valve	1-1/2	Water	
AO8210G054	N/C Solenoid Valve	1	Water	
CALL FOR OTHERS	Too many to list		Water	



## Gas Solenoid Valves

Part No.	DESCRIPTION	SIZE	RATED FOR	Price
AO8215G010	N/C Solenoid Valve	3/8	Natural Gas	
AO8215G020	N/C Solenoid Valve	1/2	Natural Gas	
AO8215G030	N/C Solenoid Valve	3/4	Natural Gas	
AO8215B050	N/C Solenoid Valve	1	Natural Gas	
AO8215G023	N/O Solenoid Valve	1/2	Natural Gas	
AO8215G033	N/O Solenoid Valve	3/4	Natural Gas	
CALL FOR OTHERS	Too many to list		Natural Gas	



## Steam/Hot Water Solenoid Valves

Part No.	DESCRIPTION	SIZE	RATED FOR	Price
AO8220G406	N/C Solenoid Valve	1/2	Steam/Hot H2O	
AO8220G409	N/C Solenoid Valve	3/4	Steam/Hot H2O	
AO8220G411	N/C Solenoid Valve	1	Steam/Hot H2O	
AO8220G027	N/C Solenoid Valve	1-1/4	Steam/Hot H2O	
CALL FOR OTHERS	Too many to list		Steam/Hot H2O	



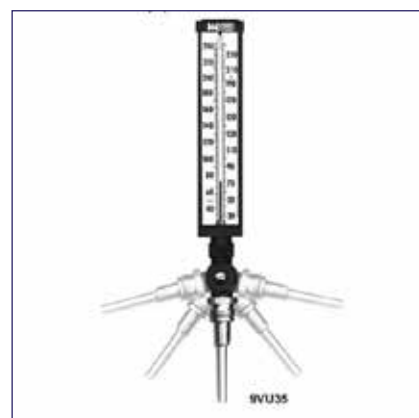
**Tridicators**

Part No.	DESCRIPTION	TEMP RANGE	PRESS RANGE	Price
GAWICTP25R	Temp/Pressure Gauge	60-260F	0-75	
GAWIHTP40L	Temp/Pressure Gauge Bottom	80-320F	0-200	
GAWIHTP40RSX	Temp/Pressure Gauge Back	80-320F	0-200	
GAWICTP40L	Temp/Pressure Gauge Bottom	60-260F	0-60	
GAWICTP40RSX	Temp/Pressure Gauge Back	60-260F	0-60	
WMC510-218-097	Temp/Pressure Gauge	70-320F	0-75	
WMC510-218-065	Temp/Pressure Gauge	60-260F	0-55	
WMC380-000-000	Temp/Pressure Gauge	60-360	0-75	



**Thermometers**

Part No.	DESCRIPTION	TEMP RANGE	STYLE	Price
GAWI9VU35 30-240F	Thermometer	30-240F	Vari Angle	
GAWI9VU35 -40-110F	Thermometer	-40-110F	Vari Angle	
GAWI9VU35 0-120F	Thermometer	0-120F	Vari Angle	
GAWITL5A2 30-240F	Thermometer	30-240F	Angle	
GAWITL5S2 30-240F	Thermometer	30-240F	Straight	
GAWIHW5S2	Thermometer	40-260F	Straight	
GAWIHW5A2	Thermometer	40-260F	Angle	



**2-1/2" Utility Gauges**

Part No.	FACE SIZE	RANGE (LBS)	CONNECTION (IN.)	Price
GAWITL25-030-4L	2-1/2"	0-30	1/4	
GAWITL25-060-4L	2-1/2"	0-60	1/4	
GAWITL25-100-4L	2-1/2"	0-100	1/4	
GAWITL25-160-4L	2-1/2"	0-160	1/4	
GAWITL25-200-4L	2-1/2"	0-200	1/4	
GAWITL25-300-4L	2-1/2"	0-300	1/4	
GAWITL25-600-4L	2-1/2"	0-600	1/4	



**4" Utility Gauges**

Part No.	FACE SIZE	RANGE (LBS)	CONNECTION (IN.)	Price
GAWITL40-P030-4L	4"	0-30	1/4	
GAWITL40-P060-4L	4"	0-60	1/4	
GAWITL40-P100-4L	4"	0-100	1/4	
GAWITL40-P160-4L	4"	0-160	1/4	
GAWITL40-P200-4L	4"	0-200	1/4	
GAWITL40-P300-4L	4"	0-300	1/4	



**Liquid Filled Gauges**

Part No.	FACE SIZE	RANGE (LBS)	CONNECTION (IN.)	Price
GAWILF251-015-4L	2-1/2"	0-15	1/4	
GAWILF251-030-4L	2-1/2"	0-30	1/4	
GAWILF251-060-4L	2-1/2"	0-60	1/4	
GAWILF251-100-4L	2-1/2"	0-100	1/4	
GAWILF251-160-4L	2-1/2"	0-160	1/4	
GAWILF251-200-4L	2-1/2"	0-200	1/4	
GAWILF251-600-4L	2-1/2"	0-600	1/4	



**Diaphragm Gauges**

Part No.	FACE SIZE	RANGE	CONNECTION (IN.)	Price
GAWIDG25-P3 0-15 4L	2-1/2"	0-15"	1/4	
GAWIDG25-P3 0-30 4L	2-1/2"	0-30"	1/4	
GAWIDG25-P3 0-60 4L	2-1/2"	0-60"	1/4	
GAWIDG25-P3 0-100 4L	2-1/2"	0-100"	1/4	
GAWIDG25-P3 0-5# 4L	2-1/2"	0-5#	1/4	
GAWIDG25-P3 0-10# 4L	2-1/2"	0-10#	1/4	



**Petes Plugs**

Part No.	DESCRIPTION	Price
GAWIGA-16	1/16" Needle	
GAWIGA-18	1/8" Needle	
GAWIBP25-NP-1/4	1/4" Test Port	
GAWIBP25-NP-1/2	1/2" Test Port	



### Black Fittings/Pipe

Winstel Controls/Morrow Control has expanded our fittings offering to include

- Black Pipe
- Black Iron Sch 40 Fittings
- Black Iron Sch 80 Fittings
- Forged Fittings
- Weld Fittings
- Flanges
- And more, visit our website under Valves/Fittings for more info.

Part No.	SIZE	AVAILABILITY	Price
Too Many to List	1/8 to 8	IN STOCK	



### Copper Fittings/Pipe

Winstel Controls/Morrow Control has expanded our fittings offering to include

- Copper Pipe
- Copper Coupling, Elbows, Tees, Reducers, etc
- Long Turn and Short Turn Fittings
- Flanges
- And more, visit our website under Valves/Fittings for more info.

Part No.	SIZE	AVAILABILITY	Price
Too Many to List	1/8 to 3	IN STOCK	



### Press Fittings/Pipe

Winstel Controls/Morrow Control has expanded our Press fittings offering to include

- Copper Press fittings for Water (In Stock)
- Copper Press Fittings for Refrigeration (In Stock)
- Steel Press Fittings for Natural Gas (2 day delivery)
- As well as Jaws to adapt to your tools
- And more, visit our website under Valves/Fittings for more info.

Part No.	SIZE	AVAILABILITY	Price
Too Many to List	1/2 to 2	IN STOCK	



